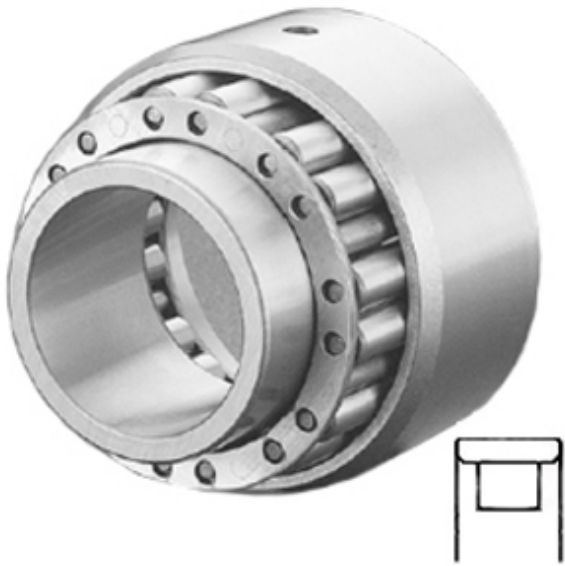




Bearing Manufacturing of Canada



B-207-19 Bearing 2D drawings and 3D CAD models

1.75 Inch | 44.45 Millimeter x 2.835 Inch | 72
Millimeter x 1.188 Inch | 30.175 Millimeter
ROLLWAY BEARING B-207-19 Cylindrical
Roller Bearings

Bearing No. B-207-19

Category	Cylindrical Roller Bearings
Inventory	0.0
Manufacturer Name	REGAL BELOIT
Minimum Buy Quantity	N/A
Weight	0.459
EAN	0637410012615
Product Group	B04144
Bore Profile	Straight
Cage Material	Steel
Precision Class	RBEC 1 ISO P0
Number of Rows of Rollers	Single Row
Separable	Outer Ring - Both Sides
Rolling Element	Cylindrical Roller Bearing
Profile	Roller Assembly with Outer Ring - No Inner Ring
Snap Ring	No
Internal Clearance	Not Applicable
Retainer	Yes
Relubricatable	Yes
Inch - Metric	Inch
Other Features	Journal Roller Plain Outer Ring Outer Ring with Oil Holes Flush Ground End Roller Assembly
Long Description	1-3/4" Bore; Straight Bore



Bearing Manufacturing of Canada

	Profile; 2.835" Outside Diameter; 1-3/16" Width; Steel Cage Material; RBEC 1 ISO P0; Single Row; Outer Ring - Both Sides Separable; No Snap Ring; Relubricat
Category	Cylindrical Roller Bearing
UNSPSC	31171547
Harmonized Tariff Code	8482.50.00.00
Noun	Bearing
Keyword String	Cylindrical
Manufacturer URL	http://www.emerson-ept.com
Manufacturer Item Number	B-207-19
Manufacturer Internal Number	B20719
Weight / LBS	1.01
d	1.75 Inch 44.45 Millimeter
D	2.835 Inch 72 Millimeter
B	1.188 Inch 30.175 Millimeter